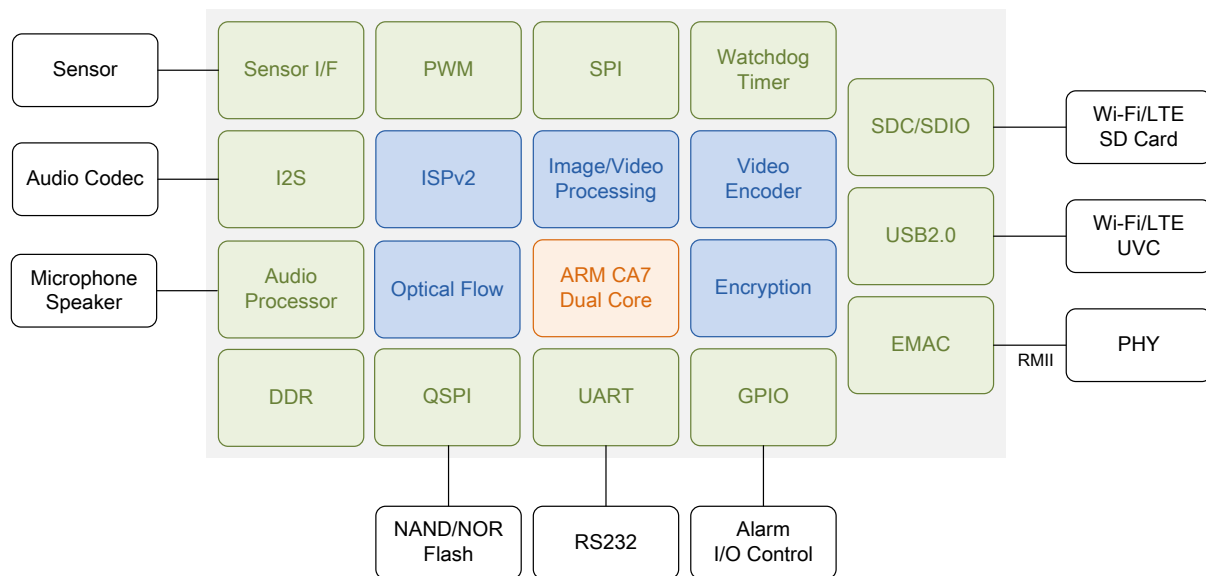


## Application Block Diagram



## Overview

The Augentix HC1705K is a high-security cost-effective Multimedia SoC solution. It supports all types of image sensor for up to 3 Mpixel resolution. It features secure boot and integrates high quality Image Signal Processing V2 (ISpv2), smart image/video processing engine, high performance video encoder, hardware audio codec, hardware bit-stream encryption engine, ARM<sup>®</sup> Cortex A7 AMP dual core and complete peripherals. It provides excellent image quality, rich smart video analysis, and high performance video coding. The BOM cost is highly reduced by customer-oriented design including small package size, low ball counts, and supporting serial NAND/NOR flash.

## Key Features

### Excellent Image Quality

- Up to 3 Mpixel resolution
- Optical-Flow Noise Reduction
- General 2D graphics overlay with arbitrary layers and shapes
- True wide dynamic range (WDR)
- High quality polyphase up/down scaler

### Smart Video Analysis

- Optical-flow
- Foreground object detection and tracking
- Accurate scene detection and segmentation

### High Performance Video Coding

- Up to 3M @ 30 fps H.264/H.265 encoding
- Up to 3 Mpixel image/video resolution
- Realtime bandwidth adaptive rate control with variable GOP, frame size, ROI

### System Design Friendly

- 9×9 mm<sup>2</sup> QFN with 88 pins
- SiP with DDR2L up to 512 Mb
- Support serial NAND/NOR flash
- Support RMI

### Support Linux fastboot

## General Specifications

### Sensor I/F

- One 10 bit CMOS sensor
- 2-lane LVDS/HiSPi™/MIPI™
- 2-channel LVDS/HiSPi™/MIPI™

### Sensor Processing

- 3 MPixels maximum resolution
- Up to 90M pixel/s input data-rate
- Device color calibration/Digital black-level calibration/Fixed pattern noise reduction
- Gamma correction
- Automatic defect pixel detection/correction
- Automatic crosstalk detection/correction

### Image Processing

- Optical-Flow Noise Reduction
- 2D graphics for general OSD overlay with arbitrary layers and shapes
- Contrast, brightness, saturation adjustment
- Poly-phase scaler
- Digital PTZ and virtual cameras
- Flip, mirror, crop, 90°/270° rotate
- Lens shading correction
- Lens distortion correction
- WDR local tone-mapping
- Two-frame HDR
- 2D sharpness engine for edge/detail enhancement
- 2D/3D noise reduction Ver2
- Hardware fisheye de-warping

### Smart Video Processing

- Advance object motion analysis
- Flexible 3A (AE, AWB, AF)
- Abnormal event detection
- Electronic fence
- Human detection acceleration
- Scene detection and segmentation

### Video Encoding

- Up to 3M @ 30 fps encoding performance
- Up to 3 MPixel maximum resolution
- H.265 main profile
- H.264 MP/HP Level 5.1 and MJPEG
- Up to 4 simultaneous encoding stream
- Bandwidth adaptive encoding
- Real-time rate-control with dynamic ROI, resolution, frame-rate, GOP
- Support VBR, CBR, smart CBR
- Embedded AES128/256 encryption engine

### System

- ARM® Cortex A7 AMP dual core 900MHz with multiple DMA
- 32 KB/32 KB for I-cache/D-cache, 128 KB for L2 cache
- NEON and FPU
- Built-in DDR2L up to 512 Mb
- Support secure boot
- AES128/256 hardware acceleration
- 10/100 Ethernet MAC with RMII
- Serial NAND/NOR flash with 400 Mbps
- Audio ADC/DAC and hardware G.711/G.726 codec
- Support Acoustic Echo Cancellation (AEC)
- Support Cry detection
- USB 2.0 dual role with PHY
- Dual SDIO/SDC
- Multiple I2S, SPI, UART, PWM, ADC, DAC, Watchdog, multiple general purpose timer, JTAG

### Physical

- Typical power consumption is TBD
- 0.9V core voltage, 1.8/3.3V I/O voltage
- Operating temperature -20°C to +60°C
- QFN with 88 pins, 9×9 mm<sup>2</sup>, 0.35 mm pitch

## Contact

TEL: +886-3-577-1628

E-mail: customer.support@augentix.com

Address: 6F., No.1, Jinshan 7th St., East Dist., Hsinchu City 30074, Taiwan (R.O.C.)